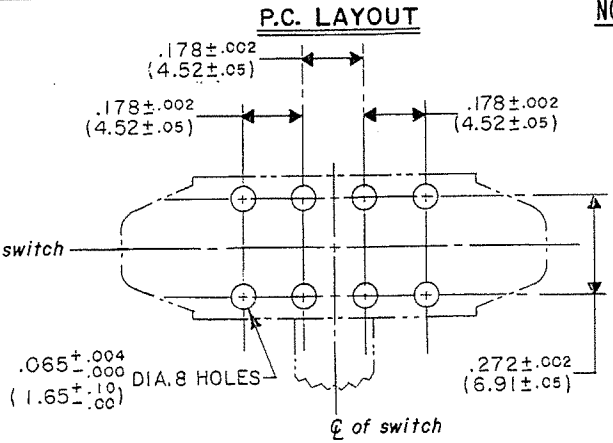
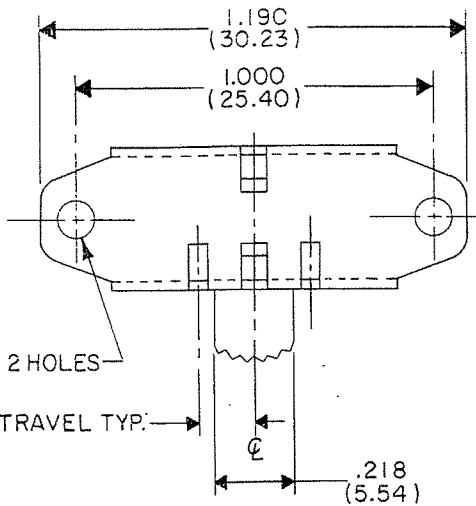
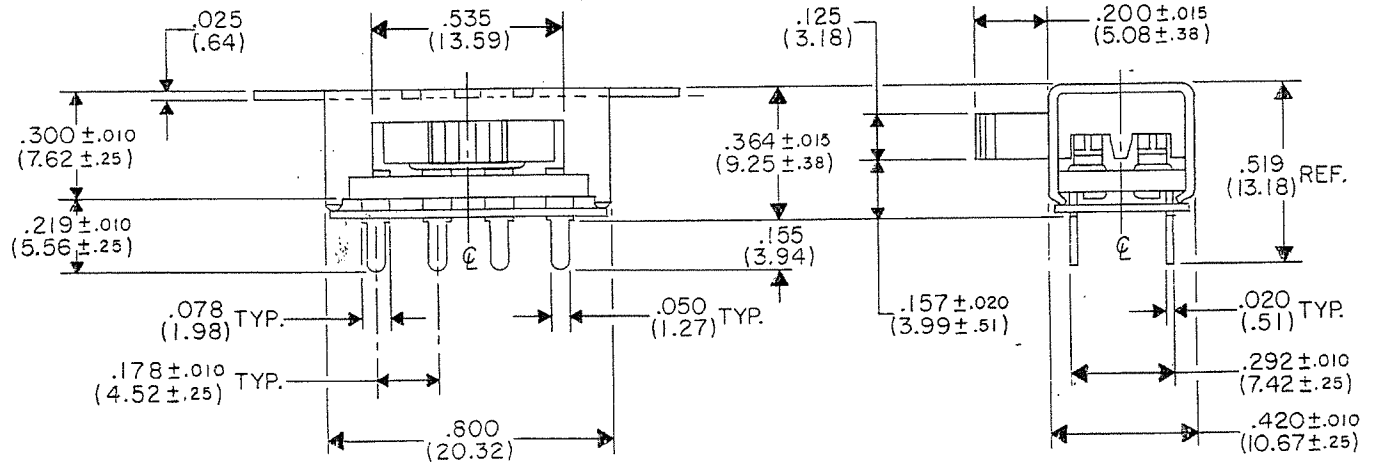


GI-154-0024



NOTE:
DIMENSIONS IN () ARE IN MILLIMETERS.



DIMENSIONS ARE IN INCHES. DO NOT SCALE DRAWING.

REVISIONS
DATE AP. 9-2-74
ENG. AP. [Signature]

ATTENTION
THIS DRAWING AND ITS ATTACHMENT, IF ANY, ARE PROPRIETARY TO CW INDUSTRIES AND DESCRIBE DESIGNS THAT ARE CONFIDENTIAL AND MUST NOT BE DISCLOSED UNLESS AUTHORIZED, IN WRITING, BY AN OFFICER OF CW INDUSTRIES.....

METRIC TOLERANCES UNLESS OTHERWISE SPECIFIED
ONE PLACE DECIMAL + OR - .25 MM
TWO PLACE DECIMAL + OR - .13 MM

VARIATIONS ON FINISHED DIMENSIONS UNLESS OTHERWISE MARKED	
TOLERANCES UNLESS OTHERWISE SPECIFIED	
2 PLACE DECIMAL	± .010
3 PLACE DECIMAL	± .005
FRACTIONS	± 1/64
ANGULAR DIMENSIONS	± 1/2°

SWIDGET ASSEMBLY
D.P.-3 POS. (SYDEWYNDER)
FIRST MADE FOR CNI YADARAF 942380
DRAWN BY Leo Webber 9-21-79
DATE DRAWN [Signature]
CHECKED BY [Signature]

CW INDUSTRIES
WARMINSTER, PA. 18974

GI-154-0024